



Be ahead

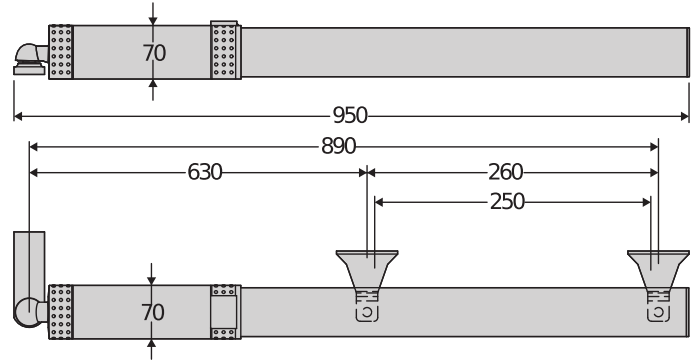


ORO





Hydraulic automation systems for swing gates



Extremely compact and sturdy hydraulic operators suitable for residential and small condominium use. Capable of automating swing gate leaves up to 2.5 metres wide and weighing up to 200 kg. Available in both reversible and irreversible versions. Maximum precision in force control guaranteed by by-pass valves.

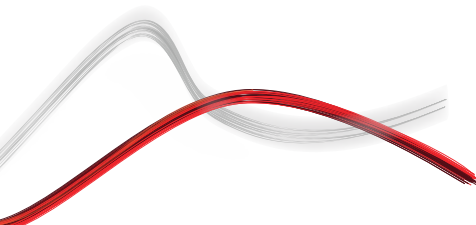
Relevant features



All the reliability and power of hydraulics in an extremely small-size, compact unit.



In the ORO version, the brass release valve allows the gate to be opened manually in the event of a power cut, and in the ORO E version it simplifies the manual cycle.





Hydraulic automation systems for swing gates

ORO

Code	Name	Description
P935059 00001	ORO	Irreversible hydraulic operator for hinged leaves up to 1.8 m and 180 kg in weight, duty Semi intensive. Manoeuvre time 20 s. Compact size
P935058 00001	ORO E	Reversible hydraulic operator for hinged leaves up to 2.5 m and weight 200 kg, use Semi intensive. Manoeuvre time 27 s. Compact size
R935222 00002	ORO KIT	Kit for swing gates up to 1.8 m and 180 kg in weight with irreversible hydraulic operators for Semi intensive use. Cycle time 20 s. Compact size
R935210 00011	ORO KIT FRA	Kit for swing gates up to 1.8 m and 180 kg in weight with irreversible hydraulic operators for Semi intensive use. Cycle time 20 s. Compact size

RIGEL 6 220-230V 50/60HZ: Universal control panel with display for one or two 230V - 650+650W operators



D113833 00002 - RIGEL 6 220-230V 50/60HZ - Recommended



- Universal control panel with display for one or two 230V - 650+650W operators
- Application: universal control panel for one or two operators
- Card power supply: 230 V single-phase
- Operators power supply: 230V single-phase 600+600W
- Main features: removable terminal blocks, programming and diagnostics with display, built-in four-channel receiver, electro lock, electronic torque limiter, electronic deceleration at opening and closing, a separate limit switch inputs for each motor, traffic light management, preheating hydraulic operators , weekly timer, possibility to delete a specific remote control, customization of the 4 radio channels, personalization of the duration of the delayed output, adjustable sensitivity to the obstacle.
- Main functions: automatic re-closing, separate motor working times, stays locked when closed, water hammer, 2/3/4 step logic, partial opening, fast closing, separate opening and closing
- Compatibility: RIGEL 5 - RIGEL 4 - RIGEL 3 - RIGEL N

	ORO	ORO E
Control unit	RIGEL 6	RIGEL 6
Board power supply	230 V	230 V
Motor voltage	230 V	230 V
Power consumption	240 W	240 W
Max. width of door/gate wing	1,80 m	2,50 m
Max. weight of door/gate wing	180 kg	200 kg
Useful rod stroke	250 mm	250 mm
Maximum angle	112 °	112 °
Cycle time	20 s	27 s
Type of limit switch	work time	work time
Slowdown	no	no
Locking	Hydraulic closing	Solenoid Lock
Release	Triangle key	Reversible
Impact reaction	Hydraulic clutch	Hydraulic clutch
Frequency of use	Semi intensive	Semi intensive
Protection rating	IP55	IP55
Environmental conditions	-10 ÷ 60 °C	-10 ÷ 60 °C





Hydraulic automation systems for swing gates

RECOMMENDED ACCESSORIES

	<p>new D114092 00002 - ALCOR AC A</p> <p>Control unit with on-board receiver - no display - Standard terminal block</p>		<p>Ph Out N733424 - ARB ORO</p> <p>Adjustable front and rear brackets for ORO operator</p>
	<p>new N733424 00001 - ARB ORO - LUX</p> <p>Adjustable front mounting bracket for ORO and LUX</p>		<p>new N735002 - SFR B</p> <p>Adjustable wall bracket, short, for linear swing-gate motors (excluding P4.5-P7)</p>
	<p>new N735003 - SFR-L B</p> <p>Adjustable wall bracket, long, for linear swing-gate motors (excluding P4.5-P7)</p>		<p>new N735002 00001 - SFR B - COMPLETE</p> <p>Adjustable wall bracket, short, for linear swing-gate motors (excluding P4.5-P7), with flat bracket</p>
	<p>new N735003 00001 - SFR-L B - COMPLETE</p> <p>Adjustable wall bracket, long, for linear swing-gate motors (excluding P4.5-P7), with flat bracket</p>		<p>D730178 - PLE</p> <p>Anchor plate for welding the mountings to masonry pillars for LUX, ORO, PHOBOS operators</p>
	<p>N999131 - NAT</p> <p>Adapter for 230V hydraulic operators for inserting the spiral cable protection sheath</p>		<p>D111013 - ME</p> <p>Control board for 12Vac solenoid lock for 230V automation systems</p>
	<p>D610180 - CLS</p> <p>Triangular release key l=52 mm</p>		<p>new P111782 - COMPACTA A20-180</p> <p>Pair of photocells adjustable 180 ° horizontally. Range 20m. Power supply 12 - 33Vac / 15 - 35Vdc</p>
	<p>new D114094 00002 - RADIUS LED AC A RO</p> <p>Flashing light without incorporated antenna for motors with power supply 230 V.</p>		<p>new D114093 00002 - RADIUS LED AC A R1</p> <p>Flashing light with incorporated antenna for motors with power supply 230 V.</p>





Hydraulic automation systems for swing gates

What is U-Link?

The technology that gives you more power

U-Link, Universal Link, is an exclusive BFT platform that can be used to create high-tech ecosystems. In Home Access Automation, it can be used to communicate with all home access automation devices of any brand. This saves you time and allows you to control everything easily and without any worries.

It is intuitive

Easy to install and to use

It is scalable

You can add as many devices as you want

It is flexible

It allows you to create groups of interconnected products

It is practical

Works with or without an internet connection

It is functional

Its settings can be controlled remotely using dedicated applications



Hydraulic automation systems for swing gates

Everything on one screen: find out more about this amazing technology

A world-exclusive platform that **can be used to create high-tech ecosystems** offering a vast range of solutions for many different sectors.

This proprietary platform which is a key feature of BFT products, thanks to the B-EBA cards and the Clonix U-Link receiver, is suitable for any protocol or product for access automation (including BFT products non-BFT ones and older versions) and it can be used in a variety of different sectors. This means any device becomes a smart device which can be interconnected with other systems, using a language that is becoming universal.



U-Control HOME

U-Control HOME is the application that allows you to open the gate to your home and to remotely control BFT automations using your own smartphone. The iOS version can be used to automatically open the automation when you are close to it.



U-Base 2

A software package for installation, performing maintenance and identifying any faults in the U-Link compatible operators, easily and conveniently.



U-SDK

U-SDK is the application which allows BFT automations to be made compatible and easily integrated with a BMS network.



Clonix U-Link

Connect non-native U-Link and non-BFT products to U-Link systems.

Is it possible to connect non-native U-Link BFT operators or other brands of products to U-Link? Yes, thanks to the Clonix receivers. Accessories which accept no limits.



B-EBA

A direct link to your operators.

The B-EBA expansion cards make it possible to connect external devices such as PCs, smartphones and tablets to a BFT operator and a Clonix receiver or to connect multiple BFT products in a U-Link network. These accessories integrate with U-Link technology and with Bluetooth, Wifi, Z-Wave and TCP/IP protocols as well as with the RS485 serial interface. A device that demonstrates exactly what BFT means by interconnectivity.

