



Be ahead

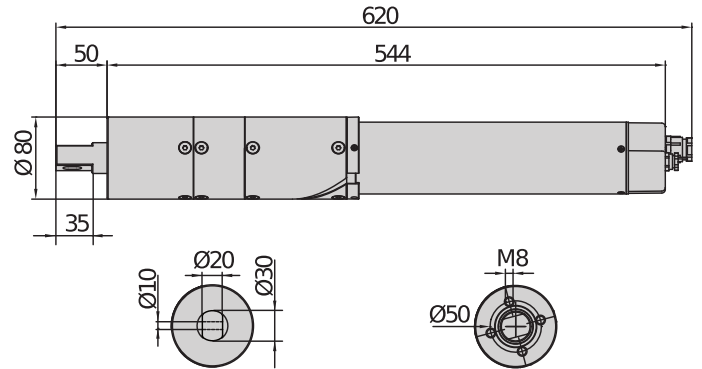


# HIDE SW





## Electromechanical automation systems for swing gates



Residential 24V operator for gates of up to 150 kg in weight, able to integrate completely within the jambs of swing gates. Disappearing completely, it enables keeping the look of the gates "clean" while remaining a fundamental element of operational performance. The Hide range includes an entire outfit of accessories needed to install the gate completely, such as the top and bottom hinges.

### Relevant features



Its cylindrical shape of maximum outside diameter 80mm allows it to be installed rapidly in the jamb of the leaf. The pre-wiring enables fast, user-friendly electrical connection to the control unit.



Hide SW is able to withstand the most severe weather conditions and wind, allowing operation even of solid gates equal to 3m<sup>2</sup> at up to 120 km/h (class 2, EN13241).



The LIBRA CB HIDE control unit is able to optimize the operator functions, allowing separate management of the motors in the times for working, torque control and slowing down, calibrating to the actual needs thanks to the built-in "D-Track" function.





## Electromechanical automation systems for swing gates

### HIDE SW

Code	Name	Description
P930124 00001	HIDE SW	Disappearing irreversible electromechanical operator 24 V for swing gates weighing up to 150 kg and 2 m long. Absolute encoder limit switch

#### LIBRA CB HIDE: Control panel with display for 1 or 2 HIDE SW series operators

##### D113742 00002 - LIBRA CB HIDE - Recommended



- Control panel with display for 1 or 2 HIDE SW series operators
- Application: control panel for one or two HIDE SW operators
- Card power supply: 230 V single-phase
- Operators power supply: 24Vdc 200W max each operator
- Main functions: automatic re-closing, fast closing, partial opening, deadman feature, pulse blocking, separate opening/closing
- Main features: removable terminal blocks, programming with display and incorporated dual channel receiver, anti-crushing, slowdown during opening and closing and electronic self-learning, D-TRACK torque control system

	HIDE SW
Control unit	LIBRA CB HIDE
Board power supply	230 V
Motor voltage	24 V
Power consumption	40 W
Max. width of door/gate wing	2 m
Max. weight of door/gate wing	150 kg
Maximum angle	110 °
Cycle time	12 s
Type of limit switch	Absolute encoder
Slowdown	Yes
Locking	Electromechanical
Release	Steel cable
Impact reaction	D-Track
Frequency of use	intensive
Protection rating	IP45
Environmental conditions	-20 + 60 °C

### RECOMMENDED ACCESSORIES

<p><b>new</b> D114093 00003 - <b>RADIUS LED BT A R1</b></p> <p>Flashing light with incorporated antenna for motors with power supply 24 V.</p>	<p><b>new</b> D114168 00003 - <b>RADIUS LED BT A R1 W</b></p> <p>Flashing light with built-in antenna for motors with a 24 V power supply. White flashing light.</p>
<p><b>new</b> D114094 00003 - <b>RADIUS LED BT A R0</b></p> <p>Flashing light without incorporated antenna for motors with power supply 24 V.</p>	<p><b>new</b> P111782 - <b>COMPACTA A20-180</b></p> <p>Pair of photocells adjustable 180 ° horizontally. Range 20m. Power supply 12 – 33Vac / 15 – 35Vdc</p>





## Electromechanical automation systems for swing gates

### RECOMMENDED ACCESSORIES

	<b>N999526 - HIDE HINGE SUP</b> Top hinge for the installation of HIDE SW series operator		<b>N999524 - HIDE HINGE INF</b> Bottom fixed hinge for the installation of HIDE SW series operator
	<b>N574039 - BOX</b> Wall cabinet for release with steel cable and electric control; cable not included		<b>P125005 - BT BAT</b> Set of backup batteries for LIBRA C MA, LIBRA C LX, HYDRA N, ARGO, VENERE BT A DIS





## Electromechanical automation systems for swing gates

# What is U-Link?

The technology that gives you more power

U-Link, Universal Link, is an exclusive BFT platform that can be used to create high-tech ecosystems. In Home Access Automation, it can be used to communicate with all home access automation devices of any brand. This saves you time and allows you to control everything easily and without any worries.

### It is intuitive

Easy to install and to use

### It is scalable

You can add as many devices as you want

### It is flexible

It allows you to create groups of interconnected products

### It is practical

Works with or without an internet connection

### It is functional

Its settings can be controlled remotely using dedicated applications



## Electromechanical automation systems for swing gates

# Everything on one screen: find out more about this amazing technology

A world-exclusive platform that **can be used to create high-tech ecosystems** offering a vast range of solutions for many different sectors.

This proprietary platform which is a key feature of BFT products, thanks to the B-EBA cards and the Clonix U-Link receiver, is suitable for any protocol or product for access automation (including BFT products non-BFT ones and older versions) and it can be used in a variety of different sectors. This means any device becomes a smart device which can be interconnected with other systems, using a language that is becoming universal.



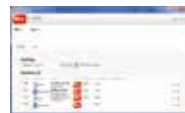
### U-Control HOME

U-Control HOME is the application that allows you to open the gate to your home and to remotely control BFT automations using your own smartphone. The iOS version can be used to automatically open the automation when you are close to it.



### U-Base 2

A software package for installation, performing maintenance and identifying any faults in the U-Link compatible operators, easily and conveniently.



### U-SDK

U-SDK is the application which allows BFT automations to be made compatible and easily integrated with a BMS network.



### Clonix U-Link

Connect non-native U-Link and non-BFT products to U-Link systems.

Is it possible to connect non-native U-Link BFT operators or other brands of products to U-Link? Yes, thanks to the Clonix receivers. Accessories which accept no limits.



### B-EBA

A direct link to your operators.

The B-EBA expansion cards make it possible to connect external devices such as PCs, smartphones and tablets to a BFT operator and a Clonix receiver or to connect multiple BFT products in a U-Link network. These accessories integrate with U-Link technology and with Bluetooth, Wifi, Z-Wave and TCP/IP protocols as well as with the RS485 serial interface. A device that demonstrates exactly what BFT means by interconnectivity.

