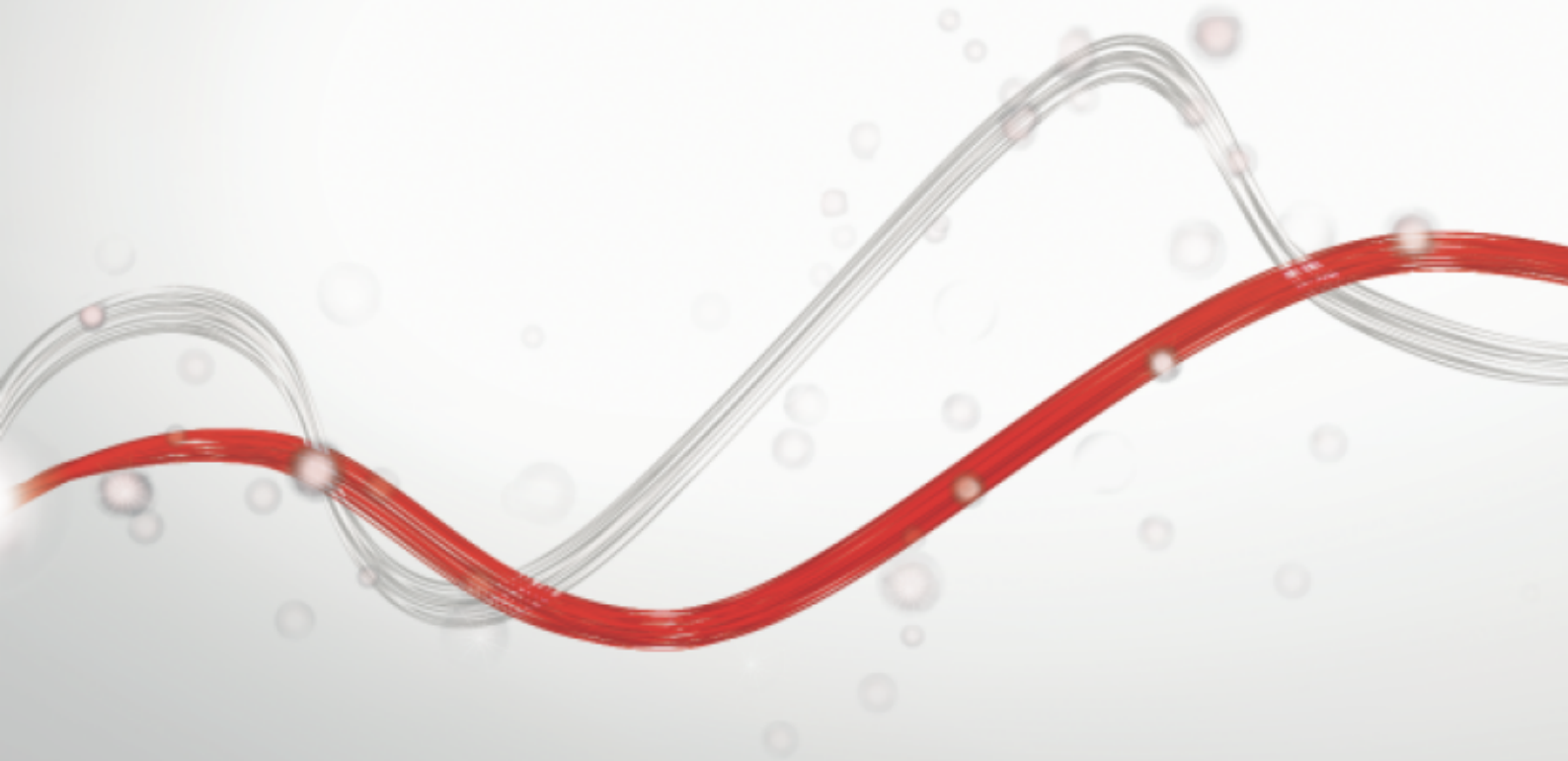




Be ahead

# GIOTTO BT A





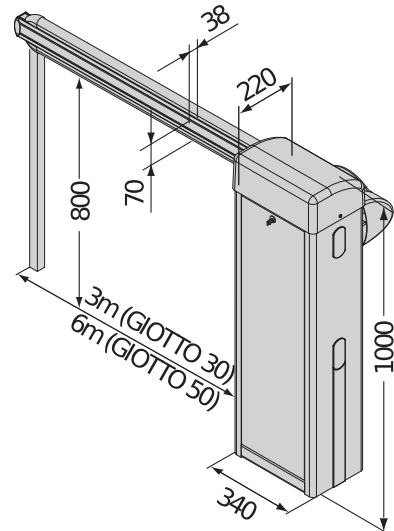
# GIOTTO BT A



## Automatic barriers - road barriers



Empowered by  
**U-LINK**



Range of barriers for intensive and very intensive use, able to manage useful passages up to 6 m. Integrated control unit with U-Link connectivity. Available in 24V versions, they have a wide range of accessories making them ideal in any context.

### Relevant features



Backup battery power supply system, installable on-board unit.



Limit switch system with electronic adjustment that speeds up installation and ensures maximum precision in movement.



Control unit located in an easily accessible position and separate from the mechanical part





## Automatic barriers - road barriers



### GIOTTO BT A

Code	Name	Description	
P940078 00002	<b>GIOTTO BT A 30 U 230V50</b>	Barrier with 24 V motor power supply for clear opening up to 3 m and opening time 4 s. Impact resistance by means of Encoder. Grey RAL 7015 New U-Link control unit with display and receiver in head	U-Link
P940078 00102	<b>GIOTTO BT A 30 U 230V50 RAL PERS</b>	Barrier with 24 V power supply for clear opening up to 3 m and opening time 4 s. Impact resistance by means of Encoder. RAL colour as requested New U-Link control unit with display and receiver in head	U-Link
P940079 00002	<b>GIOTTO BT A 30S U 230V50</b>	Barrier with 24 V motor power supply for clear opening up to 3 m and opening time 2.5 s. Impact resistance by means of Encoder. Grey RAL 7015 New U-Link control unit with display and receiver in head	U-Link
P940079 00102	<b>GIOTTO BT A 30S U 230V50 RAL PERS</b>	Barrier with 24 V power supply for clear opening up to 3 m and opening time 2.5 s. Impact resistance by means of Encoder. RAL colour as requested New U-Link control unit with display and receiver in head	U-Link
P940079 00001	<b>GIOTTO BT A 30S U 120V60</b>	Barrier with 24 V motor for openings of up to 3 m and opening time of 2.5 s. Impact resistance via Encoder. 120 V, 60 Hz version New U-Link control unit with display and receiver in head	U-Link
P940079 00101	<b>GIOTTO BT A 30S U 120V60 RAL PERS</b>	Barrier with 24 V motor for openings of up to 3 m and opening time of 2.5 s. Impact resistance via Encoder. 120 V, 60 Hz version New U-Link control unit with display and receiver in head	U-Link
P940080 00002	<b>GIOTTO BT A 60 U 230V50</b>	Barrier with 24 V motor power supply for clear opening up to 6 m and opening time 5 s. Impact resistance by means of Encoder. Grey RAL 7015 New U-Link control unit with display and receiver in head	U-Link
P940080 00102	<b>GIOTTO BT A 60 U 230V50 RAL PERS</b>	Barrier with 24 V power supply for clear opening up to 6 m and opening time 5 s. Impact resistance by means of Encoder. RAL colour as requested New U-Link control unit with display and receiver in head	U-Link
P940081 00002	<b>GIOTTO BT A 60S U 230V50</b>	Barrier with 24 V motor power supply for clear opening up to 6 m and opening time 4 s. Impact resistance by means of Encoder. Grey RAL 7015 New U-Link control unit with display and receiver in head	U-Link
P940081 00102	<b>GIOTTO BT A 60S U 230V50 RAL PERS</b>	Barrier with 24 V power supply for clear opening up to 6 m and opening time 4 s. Impact resistance by means of Encoder. RAL colour as requested New U-Link control unit with display and receiver in head	U-Link
P940081 00001	<b>GIOTTO BT A 60S U 120V60</b>	Barrier with 24 V motor for openings of up to 6 m and opening time of 4 s. Impact resistance via Encoder. 120 V, 60 Hz version New U-Link control unit with display and receiver in head	U-Link
P940081 00101	<b>GIOTTO BT A 60S U 120V60 RAL PERS</b>	Barrier with 24 V motor for openings of up to 6 m and opening time of 4 s. Impact resistance via Encoder. 120 V, 60 Hz version New U-Link control unit with display and receiver in head	U-Link

#### MERAK BG: 24V single operator control unit for barriers

##### MERAK BG - Built in



- Card power supply: 230 V single-phase
- Main characteristics: removable terminal boards with the new colour standard, simplified programming with scenario display, integrated two-channel receiver, D-Track based antisquashing system and slowdown during opening or closing.
- 24V single operator control unit for barriers



## Automatic barriers - road barriers



	GIOTTO BT A 30 U 230V50	GIOTTO BT A 30 U 230V50 RAL PERS	GIOTTO BT A 30S U 230V50	GIOTTO BT A 30S U 230V50 RAL PERS	GIOTTO BT A 30S U 120V60	GIOTTO BT A 30S U 120V60 RAL PERS
Control unit	MERAK BG	MERAK BG	MERAK BG	MERAK BG	MERAK BG	MERAK BG
Power supply system	230 V	230 V	230 V	230 V	120 V	120 V
Motor power supply	24 V	24 V	24 V	24 V	24 V	24 V
Power consumption	250 W	250 W	300 W	300 W	300 W	300 W
Type of limit switch	Electronic	Electronic	Electronic	Electronic	Electronic	Electronic
Slowdown	Yes	Yes	Yes	Yes	Yes	Yes
Locking	Mechanical	Mechanical	Mechanical	Mechanical	Mechanical	Mechanical
Release	Personal key	Personal key	Personal key	Personal key	Personal key	Personal key
Impact reaction	Encoder	Encoder	Encoder	Encoder	Encoder	Encoder
Clear opening	3 m	3 m	3 m	3 m	3 m	3 m
Frequency of use	intensive	intensive	very intensive	very intensive	very intensive	very intensive
Environmental conditions	-20/(-40 with THERMO heater) ÷ 55 °C	-20/(-40 with THERMO heater) ÷ 55 °C	-20/(-40 with THERMO heater) ÷ 55 °C	-20/(-40 with THERMO heater) ÷ 55 °C	-20/(-40 with THERMO heater) ÷ 55 °C	-20/(-40 with THERMO heater) ÷ 55 °C
Protection rating	IP54	IP54	IP54	IP54	IP54	IP54

	GIOTTO BT A 60 U 230V50	GIOTTO BT A 60 U 230V50 RAL PERS	GIOTTO BT A 60S U 230V50	GIOTTO BT A 60S U 230V50 RAL PERS	GIOTTO BT A 60S U 120V60	GIOTTO BT A 60S U 120V60 RAL PERS
Control unit	MERAK BG	MERAK BG	MERAK BG	MERAK BG	MERAK BG	MERAK BG
Power supply system	230 V	230 V	230 V	230 V	120 V	120 V
Motor power supply	24 V	24 V	24 V	24 V	24 V	24 V
Power consumption	250 W	250 W	300 W	300 W	W	W
Type of limit switch	Electronic	Electronic	Electronic	Electronic	Electronic	Electronic
Slowdown	Yes	Yes	Yes	Yes	Yes	Yes
Locking	Mechanical	Mechanical	Mechanical	Mechanical	Mechanical	Mechanical
Release	Personal key	Personal key	Personal key	Personal key	Personal key	Personal key
Impact reaction	Encoder	Encoder	Encoder	Encoder	Encoder	Encoder
Clear opening	6 m	6 m	6 m	6 m	6 m	6 m
Frequency of use	intensive	intensive	very intensive	very intensive	very intensive	very intensive
Environmental conditions	-20/(-40 with THERMO heater) ÷ 55 °C	-20/(-40 with THERMO heater) ÷ 55 °C	-20/(-40 with THERMO heater) ÷ 55 °C	-20/(-40 with THERMO heater) ÷ 55 °C	-20/(-40 with THERMO heater) ÷ 55 °C	-20/(-40 with THERMO heater) ÷ 55 °C
Protection rating	IP54	IP54	IP54	IP54	IP54	IP54

## RECOMMENDED ACCESSORIES

	D730251 - <b>CBO</b> Base plate for mod. MOOVI - GIOTTO		N728033 - <b>AQ3</b> Complete 3 metre rectangular boom for GIOTTO and MOOVI
	N728034 - <b>AQ5</b> Complete 5 metre rectangular boom for GIOTTO and MOOVI		N999507 - <b>OMEGA AQ</b> Pack of accessories for installation of 3/5 m rectangular boom for MOOVI/GIOTTO
	N728031 - <b>AT3</b> Complete 3 metre round boom for MOOVI/GIOTTO		N728032 - <b>AT5</b> Complete 5 metre round boom for MOOVI/GIOTTO



## Automatic barriers - road barriers



### RECOMMENDED ACCESSORIES

	N728038 - <b>AT6</b> Complete 6 metre round boom for MOOVI/GIOTTO		N999513 - <b>OMEGA AT</b> Pack of accessories for installation of 3/5 m round boom for MOOVI/GIOTTO
	P120023 - <b>FAF 2</b> Rest fork for booms. For bolting to ground.		N999608 - <b>ACTR</b> Pack of 12 additional reflective labels (1 pack already included with each boom)
	N728051 - <b>ART 90 Q</b> 90° articulated joint for Moovi and Giotto booms. Max 4m clear passage.		D573003 - <b>SB</b> Aluminium skirt for road barrier booms. Price per linear metre (Calculate length of useful passage minus 40cm)
	P120001 00001 - <b>KIT LIGHT</b> Lights on boom 3 - 4.5 m		P120001 00002 - <b>KIT LIGHT1</b> Lights for booms over 4.5 m
	P120028 00001 - <b>PCA N3</b> Top and bottom rubber cover profile for booms of 3 m max.		P120028 00002 - <b>PCA N4</b> Top and bottom rubber cover profile for booms of 4 m max.
	P120028 00003 - <b>PCA N5</b> Top and bottom rubber cover profile for booms of 5 m max.		P120028 00004 - <b>PCA N6</b> Top and bottom rubber cover profile for booms of 6 m max.
	P120026 - <b>ZFAF2</b> Additional anchor plates for cementing FAF2 forks to ground.		P125025 - <b>FAF 2R</b>
	D940007 - <b>GAM</b> Mobile rest leg for BGV barrier boom (not usable on BGV 30)		D940008 - <b>GA AQ AT</b> Movable support leg for AQ or AT booms (on MOOVI, MICHELANGELO and GIOTTO barriers) -
	D940009 - <b>GAMA AQ AT</b> Dampened movable support leg for AQ or AT booms (on MOOVI, MICHELANGELO and GIOTTO barriers) -		N190104 - <b>BIR C</b> Rubber safety edge (H 30 mm), price per m





## Automatic barriers - road barriers



### RECOMMENDED ACCESSORIES

	<b>P111401 00001 - VENTIMIGLIA NS</b> Infrared device for BIR C or BAR C safety edges (conforms to EN 12978 Standard)		<b>P120074 - GIOTTO M BG BAT KIT</b> Buffer battery kit for Giotto BT A series barrier
	<b>P120018 - THERMO</b> Thermostatically controlled heating element for use of GIOTTO BT A, MOOVI, MICHELANGELO BT A barriers to ambient temperatures of -40°C		<b>P111001 00003 - RME 2</b> 230 V dual channel metal object detector with installation base
	<b>P111274 - RME 1 BT</b> 24 V single channel metal object detector with installation base		<b>D110926 00001 - SPIRA 2X1</b> Magnetic loop 2 x 1 m





Automatic barriers - road barriers



## What is U-Link?

The technology that gives you more power

U-Link, Universal Link, is an exclusive BFT platform that can be used to create high-tech ecosystems. In Home Access Automation, it can be used to communicate with all home access automation devices of any brand. This saves you time and allows you to control everything easily and without any worries.

### It is intuitive

Easy to install and to use

### It is scalable

You can add as many devices as you want

### It is flexible

It allows you to create groups of interconnected products

### It is practical

Works with or without an internet connection

### It is functional

Its settings can be controlled remotely using dedicated applications



## Automatic barriers - road barriers



# Everything on one screen: find out more about this amazing technology

A world-exclusive platform that **can be used to create high-tech ecosystems** offering a vast range of solutions for many different sectors.

This proprietary platform which is a key feature of BFT products, thanks to the B-EBA cards and the Clonix U-Link receiver, is suitable for any protocol or product for access automation (including BFT products non-BFT ones and older versions) and it can be used in a variety of different sectors. This means any device becomes a smart device which can be interconnected with other systems, using a language that is becoming universal.



### U-Control HOME

U-Control HOME is the application that allows you to open the gate to your home and to remotely control BFT automations using your own smartphone. The iOS version can be used to automatically open the automation when you are close to it.



### U-Base 2

A software package for installation, performing maintenance and identifying any faults in the U-Link compatible operators, easily and conveniently.



### U-SDK

U-SDK is the application which allows BFT automations to be made compatible and easily integrated with a BMS network.



### Clonix U-Link

Connect non-native U-Link and non-BFT products to U-Link systems.

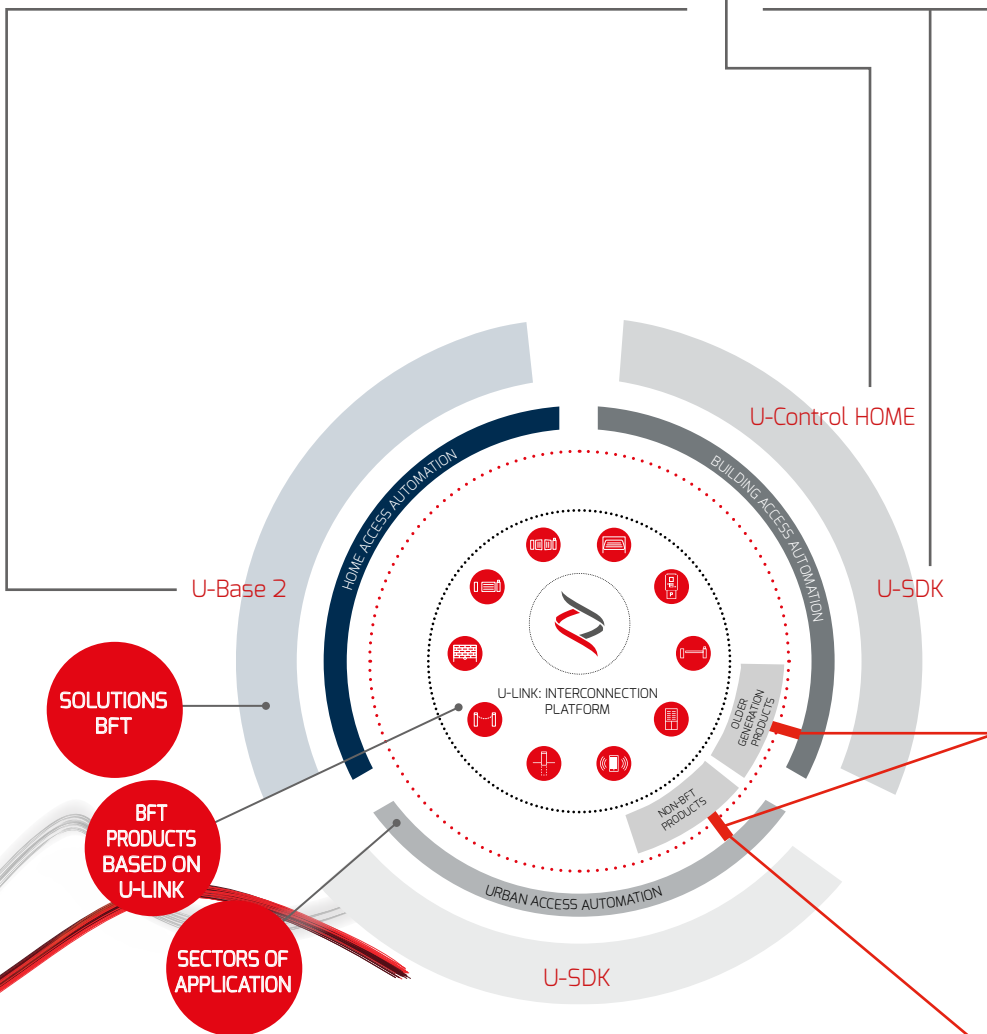
Is it possible to connect non-native U-Link BFT operators or other brands of products to U-Link? Yes, thanks to the Clonix receivers. Accessories which accept no limits.



### B-EBA

A direct link to your operators.

The B-EBA expansion cards make it possible to connect external devices such as PCs, smartphones and tablets to a BFT operator and a Clonix receiver or to connect multiple BFT products in a U-Link network. These accessories integrate with U-Link technology and with Bluetooth, Wifi, Z-Wave and TCP/IP protocols as well as with the RS485 serial interface. A device that demonstrates exactly what BFT means by interconnectivity.







INFORMATION REGARDING THE PROTECTION OF THE INDUSTRIAL AND INTELLECTUAL PROPERTY RIGHTS OF BFT. BFT S.p.A. protects its industrial property by depositing trademarks, patents, models and designs. The intellectual property of BFT S.p.A. is protected by copyright law. BFT S.p.A. also protects its know-how by taking measures to protect the technical and commercial information inherent in its company and products. All the products in this catalogue are ORIGINAL BFT MODELS and only BFT S.p.A. is authorised to produce them and market them anywhere in the world. All the commercial names in this catalogue are owned by BFT S.p.A., and only BFT S.p.A. is authorised to use them in relation to the corresponding merchandise category. FALSIFIERS WILL BE PROCEEDED AGAINST IN ACCORDANCE WITH BOTH CIVIL AND CRIMINAL LAW. THESE CONDITIONS NOT ONLY GUARANTEE THE INTELLECTUAL PROPERTY RIGHTS OF BFT, BUT ALSO PROTECT CUSTOMERS BY GUARANTEEING THAT THE PRODUCTS THEY ARE PURCHASING ARE ORIGINAL BFT PRODUCTS RESULTING FROM STUDIES AND DESIGNS WITHIN THE BFT COMPANY.