



Be ahead

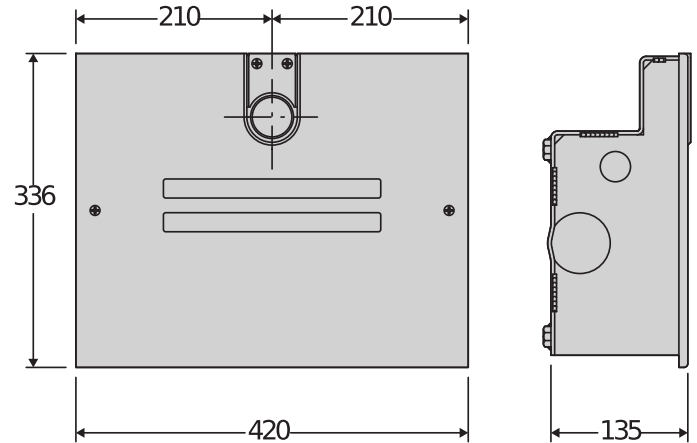


# ELI AC A





## Electromechanical automation systems for swing gates



A complete range of in-ground non-reversible electromechanical operators for swing gates weighing up to 500 Kg and up to 4m long with 230V motors.  
 The integrated mechanical stops for both opening and closing, allowing the option of a simple installation by reducing the need for physical stops. The magnetic limit switch system (optional) ensures the highest levels of accuracy and reliability over time in all weather conditions.

### Relevant features



**Super fast AC35 motors:** Maximum comfort. Fast opening is ideal for sites which require reduced waiting times meaning you can quickly clear busy or hazardous roads. Fast closing can help to improve security keeping the property safer from intruders.



**New secondary arm:** quicker and more secure attachment to the primary shaft, for a more reliable installation!



**New composite crown XECARB (AC A 40):** developed with carbon fiber reinforced polymers, widely used also in sports and air-space, it allows the use on heavier gates and longer life.





## Electromechanical automation systems for swing gates

### Relevant features



**Integrated mechanical stops:** for both opening and closing, allowing the option of a simple installation by reducing the need for physical stops.





## Electromechanical automation systems for swing gates

### ELI AC A

Code	Name		Description
P930131 00002	ELI AC A35 VELOCE		230 V electromechanical in-ground operator for swing gates weighing up to 200 kg and up to 3.5 m long.
P930132 00002	ELI AC A40		230 V electromechanical in-ground operator for swing gates weighing up to 500 kg and up to 4 m long.

#### RIGEL 6 220-230V 50/60HZ: Universal control panel with display for one or two 230V - 650+650W operators



##### D113833 00002 - RIGEL 6 220-230V 50/60HZ - Recommended



- Universal control panel with display for one or two 230V - 650+650W operators
- Application: universal control panel for one or two operators
- Card power supply: 230 V single-phase
- Operators power supply: 230V single-phase 600+600W
- Main features: removable terminal blocks, programming and diagnostics with display, built-in four-channel receiver, electro lock, electronic torque limiter, electronic deceleration at opening and closing, a separate limit switch inputs for each motor, traffic light management, preheating hydraulic operators, weekly timer, possibility to delete a specific remote control, customization of the 4 radio channels, personalization of the duration of the delayed output, adjustable sensitivity to the obstacle.
- Main functions: automatic re-closing, separate motor working times, stays locked when closed, water hammer, 2/3/4 step logic, partial opening, fast closing, separate opening and closing
- Compatibility: RIGEL 5 - RIGEL 4 - RIGEL 3 - RIGEL N

	ELI AC A35 VELOCE	ELI AC A40
Motor voltage	230 V	230 V
Compatible control unit	RIGEL6, ALENA SW2	RIGEL6, ALENA SW2
Max. weight of door/gate wing	200 kg	500 kg
Max. width of door/gate wing	3,50 m	4 m
Max. length gate panel without electric lock	2 m	2,50 m
Max. motor torque	200 Nm	350 Nm
Max. opening cycles per hour	40	20
Maximum angle	120 °	120 °
Speed	2,50 Rpm	1,45 Rpm
Opening time to 90°	11" (no slowdown)	13" (no slowdown)
Limit switch standard	N/A	N/A
Limit switch optional	Magnetic	Magnetic
Mechanical stops	OP+CL	OP+CL
Release	Lever or lever with personalised key	Lever or lever with personalised key
Impact reaction	Electronic clutch (with control panel)	Electronic clutch (with control panel)
Protection rating	IP67	IP67
Environmental conditions	-20 ÷ 55 °C	-20 ÷ 55 °C

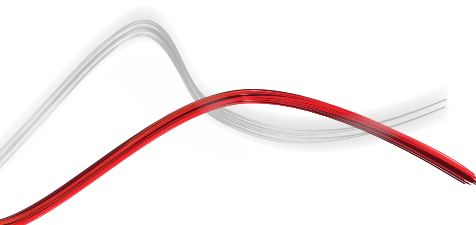




## Electromechanical automation systems for swing gates

### RECOMMENDED ACCESSORIES

 N733397 - <b>BTCF 120 E</b> Foundation box with levers for ELI AC A, ELI BT A. Release not supplied	 N733398 - <b>BTCF 120 E INOX</b> Stainless steel foundation box with levers for ELI AC A, ELI BT A. Release not provided
 N733392 - <b>SCC</b> Release for ELI AC A, ELI BT A and SUB BT with lever key.	 N733502 - <b>SCP</b> Release for ELI AC A, ELI BT A and SUB BT with personalized key.
 N733304 - <b>E180</b> Accessory for opening to 180 ° for ELI AC A, ELI BT A operator	 <b>new</b> N733951 - <b>FCEBT</b> Magnetic limit switches for BT and AC models.
 <b>new</b> P111782 - <b>COMPACTA A20-180</b> Pair of photocells adjustable 180 ° horizontally. Range 20m. Power supply 12 – 33Vac / 15 – 35Vdc	 <b>new</b> R400009 - <b>KIT COMPACTA - PHP</b> Kit complete with a pair of aluminum posts for photocells height 522mm and a pair of Compacta A20-180 photocells adjustable 180° horizontally, range 20m, power supply 12 – 33Vac / 15 – 35Vdc
 <b>new</b> D114094 00002 - <b>RADIUS LED AC A R0</b> Flashing light without incorporated antenna for motors with power supply 230 V.	 <b>new</b> D114093 00002 - <b>RADIUS LED AC A R1</b> Flashing light with incorporated antenna for motors with power supply 230 V.





## Electromechanical automation systems for swing gates

# What is U-Link?

The technology that gives you more power

U-Link, Universal Link, is an exclusive BFT platform that can be used to create high-tech ecosystems. In Home Access Automation, it can be used to communicate with all home access automation devices of any brand. This saves you time and allows you to control everything easily and without any worries.

### It is intuitive

Easy to install and to use

### It is scalable

You can add as many devices as you want

### It is flexible

It allows you to create groups of interconnected products

### It is practical

Works with or without an internet connection

### It is functional

Its settings can be controlled remotely using dedicated applications



## Electromechanical automation systems for swing gates

# Everything on one screen: find out more about this amazing technology

A world-exclusive platform that **can be used to create high-tech ecosystems** offering a vast range of solutions for many different sectors.

This proprietary platform which is a key feature of BFT products, thanks to the B-EBA cards and the Clonix U-Link receiver, is suitable for any protocol or product for access automation (including BFT products non-BFT ones and older versions) and it can be used in a variety of different sectors. This means any device becomes a smart device which can be interconnected with other systems, using a language that is becoming universal.



### U-Control HOME

U-Control HOME is the application that allows you to open the gate to your home and to remotely control BFT automations using your own smartphone. The iOS version can be used to automatically open the automation when you are close to it.



### U-Base 2

A software package for installation, performing maintenance and identifying any faults in the U-Link compatible operators, easily and conveniently.



### U-SDK

U-SDK is the application which allows BFT automations to be made compatible and easily integrated with a BMS network.



### Clonix U-Link

Connect non-native U-Link and non-BFT products to U-Link systems.

Is it possible to connect non-native U-Link BFT operators or other brands of products to U-Link? Yes, thanks to the Clonix receivers. Accessories which accept no limits.



### B-EBA

A direct link to your operators.

The B-EBA expansion cards make it possible to connect external devices such as PCs, smartphones and tablets to a BFT operator and a Clonix receiver or to connect multiple BFT products in a U-Link network. These accessories integrate with U-Link technology and with Bluetooth, Wifi, Z-Wave and TCP/IP protocols as well as with the RS485 serial interface. A device that demonstrates exactly what BFT means by interconnectivity.

